

# Lindapter Holo-Bolts - basic dimensions

## Hollo-Bolt Hexagonal by Lindapter

### Size 1

Product Code	B [mm]	Clamping thickness W [mm]	L [mm]	S [mm]	H [mm]	D [mm]	A/F [mm]
HB08-1	M8 x 50	3-22	30	13.75	5	22	19
HB10-1	M10 x 55	3-22	30	17.75	6	29	24
HB12-1	M12 x 60	3-25	35	19.75	7	32	30
HB16-1	M16 x 75	12-29	41.5	25.75	8	38	36
HB20-1	M20 x 90	12-34	50	32.75	10	51	46

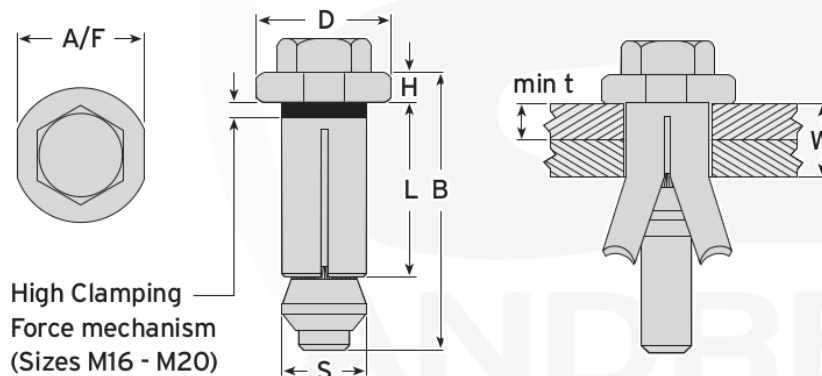
### Size 2

Product Code	B [mm]	Clamping thickness W [mm]	L [mm]	S [mm]	H [mm]	D [mm]	A/F [mm]
HB08-2	M8 x 70	22-41	49	13.75	5	22	19
HB10-2	M10 x 70	22-41	48	17.75	6	29	24
HB12-2	M12 x 80	25-47	57	19.75	7	32	30
HB16-2	M16 x 100	29-50	63	25.75	8	38	36
HB20-2	M20 x 120	34-60	76	32.75	10	51	46

### Size 3

Product Code	B [mm]	Clamping thickness W [mm]	L [mm]	S [mm]	H [mm]	D [mm]	A/F [mm]
HB08-3	M8 x 90	41-60	68	13.75	5	22	19
HB10-3	M10 x 90	41-60	67	17.75	6	29	24
HB12-3	M12 x 100	47-69	79	19.75	7	32	30
HB16-3	M16 x 120	50-71	84	25.75	8	38	36
HB20-3	M20 x 150	60-86	102	32.75	10	51	46

Size M16 and M20 feature High Clamping Force mechanism.



- [Type HB Holo-Bolt Hexagonal Head - Datasheet & Installation Guide](#)

Dimensions in millimetres

Whilst the information is provided in good faith, Andrews Fasteners Ltd are not under any responsibility or liability in respect of errors or information that was found to be incorrect or for any reliance the user may place on it.

## Hollo-Bolt Countersunk by Lindapter

### Size 1

Product Code	B [mm]	Clamping thickness W [mm]	L [mm]	S [mm]	H [mm]	D [mm]	A/F [mm]
HBCSK08-1	M8 x 50	3-22	30	13.75	5	22	19
HBCSK10-1	M10 x 50	3-22	30	17.75	6	29	24
HBCSK12-1	M12 x 55	3-25	35	19.75	7	32	30
HBCSK16-1	M16 x 70	12-29	41.5	25.75	8	38	36

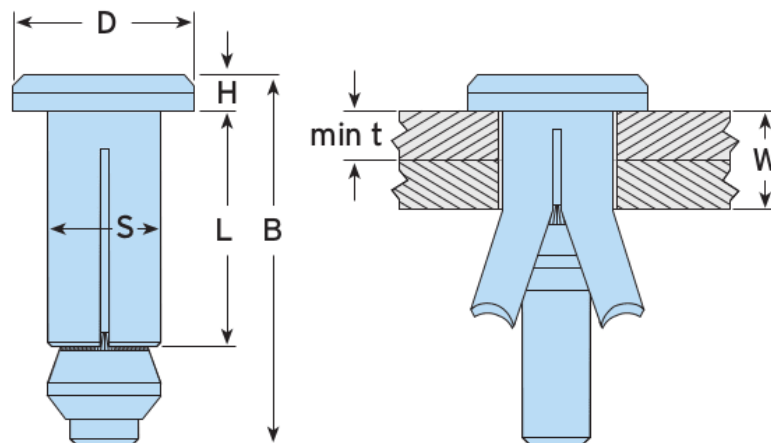
### Size 2

Product Code	B [mm]	Clamping thickness W [mm]	L [mm]	S [mm]	H [mm]	D [mm]	A/F [mm]
HBCSK08-2	M8 x 70	22-41	49	13.75	5	22	19
HBCSK10-2	M10 x 70	22-41	48	17.75	6	29	24
HBCSK12-2	M12 x 80	25-47	57	19.75	7	32	30
HBCSK16-2	M16 x 100	29.50	63	25.75	8	38	36

### Size 3

Product Code	B [mm]	Clamping thickness W [mm]	L [mm]	S [mm]	H [mm]	D [mm]	A/F [mm]
HBCSK08-3	M8 x 90	41-60	68	13.75	5	22	19
HBCSK10-3	M10 x 90	41-60	67	17.75	6	29	24
HBCSK12-3	M12 x 100	47-69	79	19.75	7	32	30
HBCSK16-3	M16 x 120	50-71	84	25.75	8	38	36

Size M16 feature High Clamping Force mechanism.



- [Type HB Hollo-Bolt Countersunk Head - Datasheet & Installation Guide](#)

Dimensions in millimetres

Whilst the information is provided in good faith, Andrews Fasteners Ltd are not under any responsibility or liability in respect of errors or information that was found to be incorrect or for any reliance the user may place on it.

## Hollo-Bolt Flush Fit by Lindapter

### Size 1

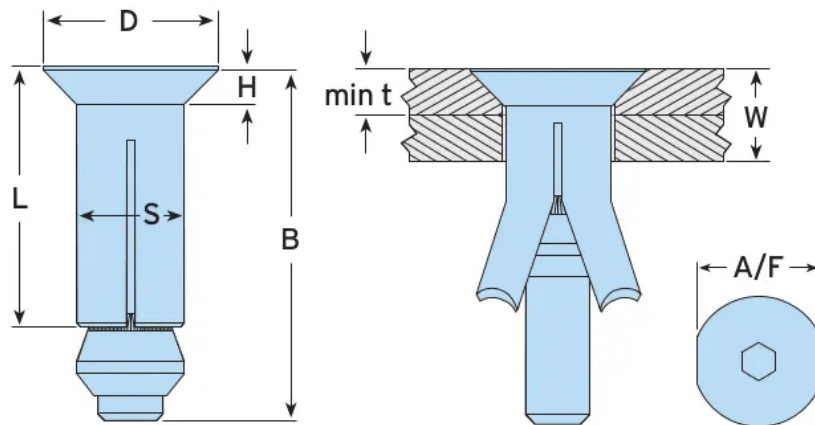
Product Code	B [mm]	Clamping thickness W [mm]	L [mm]	S [mm]	H [mm]	D [mm]	A/F [mm]
HBFF08-1	M8 x 50	10-37	35	13.75	5	24	19
HBff10-1	M10 x 50	12-27	36	17.75	6	30	24
HBff12-1	M12 x 55	12-30	42	19.75	7	33	30

### Size 2

Product Code	B [mm]	Clamping thickness W [mm]	L [mm]	S [mm]	H [mm]	D [mm]	A/F [mm]
HBFF08-2	M8 x 70	27-45	54	13.75	5	24	19
HBFF10-2	M10 x 70	27-45	54	17.75	6	30	24
HBFF12-2	M12 x 80	30-52	64	19.75	7	33	30

### Size 3

Product Code	B [mm]	Clamping thickness W [mm]	L [mm]	S [mm]	H [mm]	D [mm]	A/F [mm]
HBFF08-2	M8 x 90	45-64	73	13.75	5	24	19
HBFF10-2	M10 x 90	45-64	73	17.75	6	30	24
HBFF12-2	M12 x 100	52-74	86	19.75	7	33	30



- [Type HB Hollo-Bolt Flush Fit Head - Datasheet & Installation Guide](#)

Dimensions in millimetres

Whilst the information is provided in good faith, Andrews Fasteners Ltd are not under any responsibility or liability in respect of errors or information that was found to be incorrect or for any reliance the user may place on it.



## Comparison of different Hollo-Bolts

Hexagonal

Countersunk

Flush Fit

