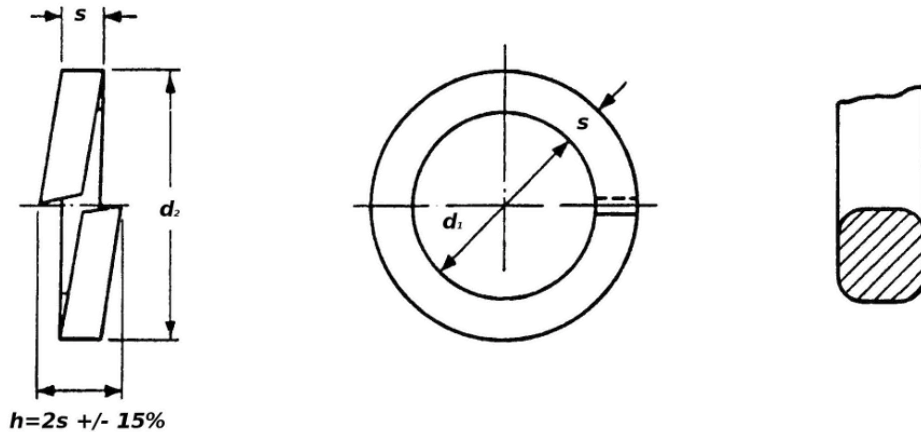


BS 4464 Square Spring Washers - Basic dimensions



BS 4464 Square Spring Washers

Basic dimensions for selected sizes

Size	M4	M5	M6	M8	M10	M12	M16	M20	M22	M24	M30	M36
d1 (min / max)	4.1- 4.35	5.1- 5.35	6.1- 6.4	8.2- 8.55	10.2- 10.6	12.2- 12.6	16.3- 16.9	20.3- 21.1	22.4- 23.3	24.4- 25.3	30.5- 31.5	36.5- 37.6
d2 (max)	6.95	8.55	9.6	12.75	15.9	17.9	24.3	30.5	32.7	35.7	43.9	52.1
s (min / max)	1.1- 1.3	1.4- 1.6	1.4- 1.6	1.9- 2.1	2.35- 2.65	2.35- 2.65	3.3- 3.7	4.3- 4.7	4.3- 4.7	4.8- 5.2	5.8- 6.2	6.75- 7.25

Dimensions in millimetres

Whilst the information is provided in good faith, Andrews Fasteners Ltd are not under any responsibility or liability in respect of errors or information that was found to be incorrect or for any reliance the user may place on it.