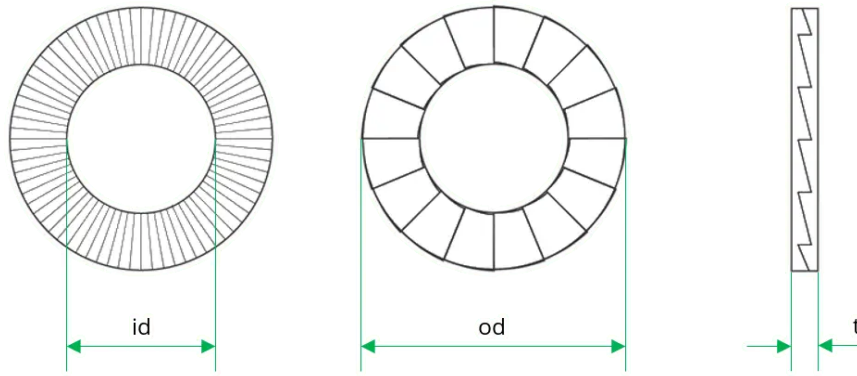


Nord-lock washers - Dimensions for Washers



Nord-Lock - Dimension list for popular sizes of Steel Washers

Washer size	NL8	NL10	NL12	NL16	NL20	NL22	NL24	NL27	NL30	NL36
Bolt Size	M8	M10	M12	M16	M20	M22	M24	M27	M30	M26
Internal diameter (id)	8.7	10.7	13.0	17.0	21.4	23.4	25.3	28.4	31.4	37.4
Tolerance (+/-)	0.1	0.5	0.5	0.5	0.5	0.5	0.5	0.5	0.5	0.5
Outside diameter (od)	13.5	16.6	19.5	25.4	30.7	34.5	39.0	42.0	47.0	55.0
Tolerance (+/-)	0.2	0.2	0.2	0.2	0.2	0.2	0.2	0.2	0/-2	0/-2
Thickness (t)	2.5	2.5	2.5	3.4	3.4	3.4	3.4	5.8	5.8	5.8
Tolerance (+/-)	0.25	0.25	0.25	0.25	0.25	0.25	0.25	0.25	0.25	0.25

All dimensions in millimeters

For more information, please visit the official [Nord-Lock website](#).

Whilst the information is provided in good faith, Andrews Fasteners Ltd are not under any responsibility or liability in respect of errors or information that was found to be incorrect or for any reliance the user may place on it.

ANDREWS
FASTENERS