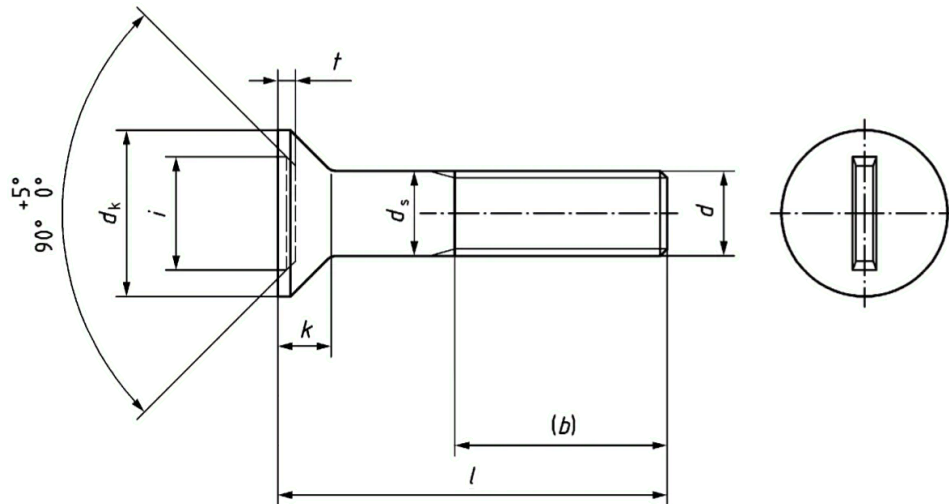


EN 14399-7 Basic countersunk bolt dimensions (HR CSK Bolts)



EN 14399 Part 7: Basic countersunk bolt dimensions (HR CSK Bolts)

Size (d)	M12	M16	M20	M22	M24	M27	M30	M36
Pitch	1.75	2	2.5	2.5	3	3	3.5	4
b (l ≤ 125)	30	38	46	50	54	60	66	78
b (125 < l ≤ 200)	-	44	52	56	60	66	72	84
b (l > 200)	-	-	65	69	73	79	85	97
ds	11.30-12.70	15.30-16.70	19.16-20.84	21.16-22.84	23.16-24.84	26.16-27.84	29.16-30.84	35.00-37.00
dk	23.16-24.00	31.16-32.00	39-40	43-44	47-48	53-54	58.8-60.0	70.8-72.0
k (nom)	8.00	10.00	13.00	14.0	16.0	17.5	19.50	23.00
k	7.25-8.75	9.25-10.75	12.1-13.9	13.1-14.9	15.1-16.9	16.6-18.4	18.45-20.55	21.95-24.05
t	3.0-4.5	3.0-4.5	3.5-5.0	3.5-5.0	3.5-5.0	3.5-5.0	4.0-5.5	4.0-5.5
i	15.5-16.5	21.5-22.5	27.5-28.5	29.5-30.5	32.5-33.5	36.5-37.5	41.5-42.5	49.5-50.5

All dimensions in millimetres

Whilst the information is provided in good faith, Andrews Fasteners Ltd are not under any responsibility or liability in respect of errors or information that was found to be incorrect or for any reliance the user may place on it.