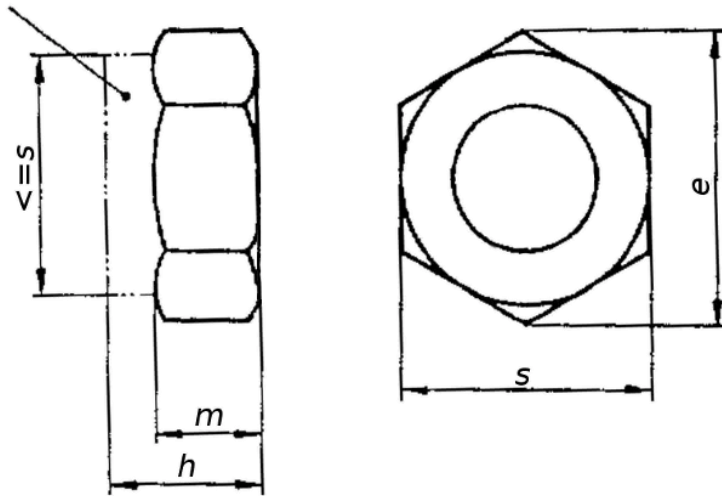


## DIN 985 Nylon Insert Lock Nut - Basic dimensions

Prevailing torque  
element subject to  
agree



## DIN 985 Nylon Insert Lock Nut - Basic dimensions

*Dimensions for selected sizes*

Size	M5	M6	M8	M10	M12	M16	M20	M24	M30	M36
<i>m (min.)</i>	3.2	4	5.5	6.5	8	10.5	14	15	19	25
<i>h</i>	4.7-5	5.7-6	7.64-8	9.64-10	11.57-12	15.3-16	18.7-20	22.7-24	28.7-30	34.4-36
<i>s</i>	7.78-8	9.78-10	12.73-13	16.73-17	18.67-19	23.67-24	29.16-30	35-36	45-46	53.8-55
<i>e (min.)</i>	8.79	11.05	14.38	18.9	21.1	26.75	32.95	39.55	50.85	60.79

Dimensions in millimeters

Whilst the information is provided in good faith, Andrews Fasteners Ltd are not under any responsibility or liability in respect of errors or information that was found to be incorrect or for any reliance the user may place on it.